

BOLD & BRILLIANT



DOORS Eco TM 62

Sleek, efficient, and built for the way we live today. The Eco TM 62 Door brings together modern design, smart technology, and energy efficiency in one clean package. Whether for a home or a light commercial space, it delivers style without waste and performance without compromise.

Bluetooth, fingerprint, and eye-scan access, security and full automation options. High-performance insulation keeps energy costs down, while ADA compliance ensures accessibility for everyone. With Eco TM 62 doors sustainability and style can go hand in hand.



SPECIAL FEATURES



Cost-efficient for light commercial & high-volume residential



Automation: Bluetooth, eye-scan, fingerprint, panic hardware



Double-glazing



ADA compliant

Yawal USA
11 West Hudson Avenue
Englewood, NJ 07631

yawalusa.com
201-753-1295
office@yawalusa.com



ECO
TM 62

BOLD & BRILLIANT

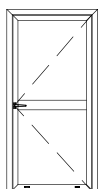
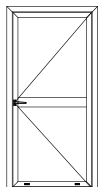


TECHNICAL SPECIFICATIONS

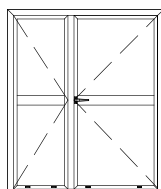
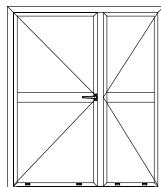
Water tightness	9 psf
Design pressure	CW 65 psf
Thermal insulation / U-Value	From 0.20 Btu/hft ² F
Acoustic insulation	STC up to 42 dB
Max panel weight	550 lbs (250 kg)
Glazing	Double
Max Panel Height*	10 ft / 3048 mm
Max Panel Width*	4.5 ft / 1372 mm

EXAMPLES OF CONFIGURATIONS

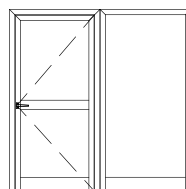
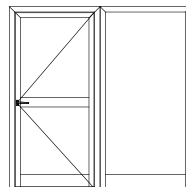
SINGLE
DOOR



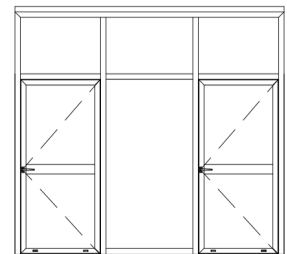
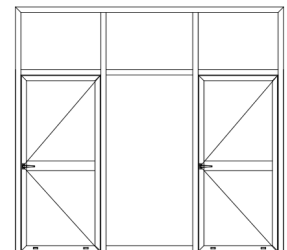
DOUBLE
DOOR



SINGLE DOOR
WITH SIDELIGHT



DOUBLE DOOR WITH
TRANSOM AND SIDELIGHT





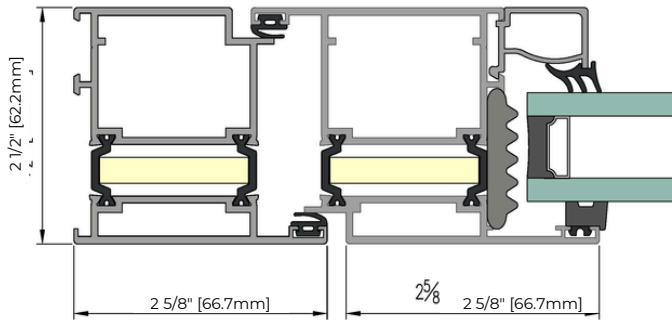
ECO
TM 62

BOLD & BRILLIANT

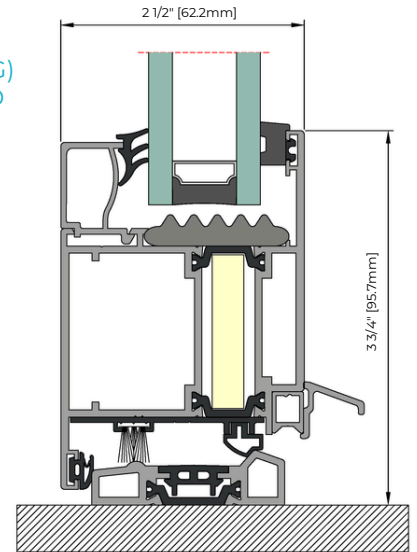


Profiles

ECO TM 62 DOOR
(INWARD OPENING)

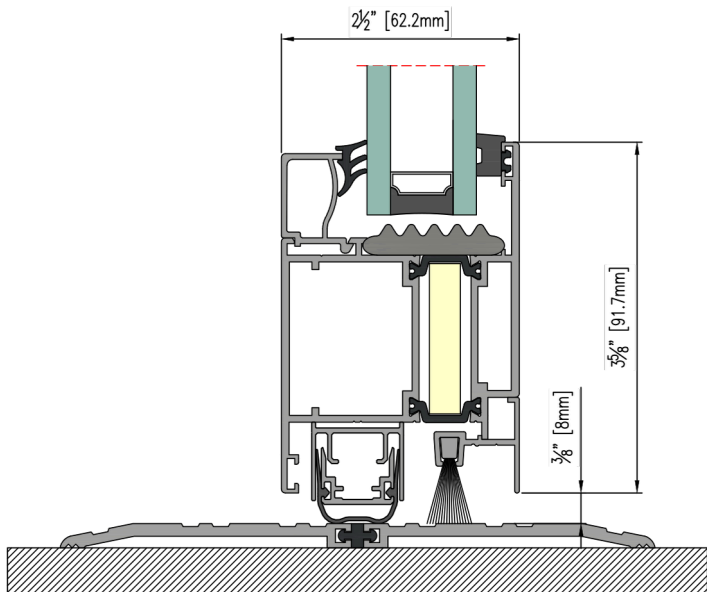


ECO TM 62 DOOR
(INWARD OPENING)
WITH THRESHOLD



Commercial options:

ADA threshold



Accommodation of US hardware

ROLLER 1 POINT LOCK



KEY BOTH SIDE





ECO
TM 62

ACCESSORIES

Handles

Standard



Cubic



Contemporary



Inox



Pull-handles



Hinges



Visible

Non-visible

Door Cylinder



Single-key
cylinder system

Cylinder + Knob

Door locks



Single point lock



Triple point lock

SDL - Simulated Divided Lite



SDL in pane

SDL interior/exterior

Access control 4in1



- Bluetooth
- Finger print
- Code
- RFID card

Door Closer

Hidden - boxer



Hidden - Limiter Operable



Visible



Glass

Glass Types



Laminated



Tempered

Extras



High Altitude



Acoustic Insulated



Spandrel / Frit / Lacobel



Bird / Turtle Friendly



Priva Lite Switch Glass

Glazing



Double

Glass thickness range



Min: 0.24" (6 mm)
Max: 1.81" (46 mm)

Colors

Color options available upon request. Refer to website for specific color names.





ECO
TM 62

BOLD & BRILLIANT

YAWAL
WINDOWS + DOORS — **USA**



Scan the QR
code to check
out our full
portfolio.

Yawal USA
11 West Hudson Avenue
Englewood, NJ 07631

yawalusa.com
201-753-1295
office@yawalusa.com

OUR MISSION

WE PROVIDE THE HIGHEST QUALITY EUROPEAN ALUMINUM SYSTEMS WITH THE BEST, DEDICATED CUSTOMER SERVICE FOR THE AMERICAN MARKET

Since 1990, YAWAL has pioneered high-performance architectural aluminum systems, setting new standards in the European industry. What truly sets us apart is our complete vertical integration - from our own aluminum extrusion facilities to system design, full prefabrication, and dedicated technical support. This end-to-end control ensures unmatched quality and security while allowing us to deliver exceptional products directly to your door. Backed by over three decades of innovation and comprehensive service excellence, YAWAL USA continues to lead the industry with solutions that combine superior thermal performance with beautiful aesthetics, turning your architectural vision into reality with precision and care.

- EXPANSIONS AND TRANSFORMATIONS
- COMMITMENT TO SUSTAINABILITY
- INNOVATIVE BREAKTHROUGHS
- ADAPTING TO MARKET NEEDS

VALUES



QUALITY



CUSTOMER FOCUS



COMMITMENT



INTEGRITY



INNOVATION



SUSTAINABILITY



AIA
Continuing
Education
Provider