

BOLD and BRILLIANT. Say YES to YAWAL USA



FA 50
SmoothLine

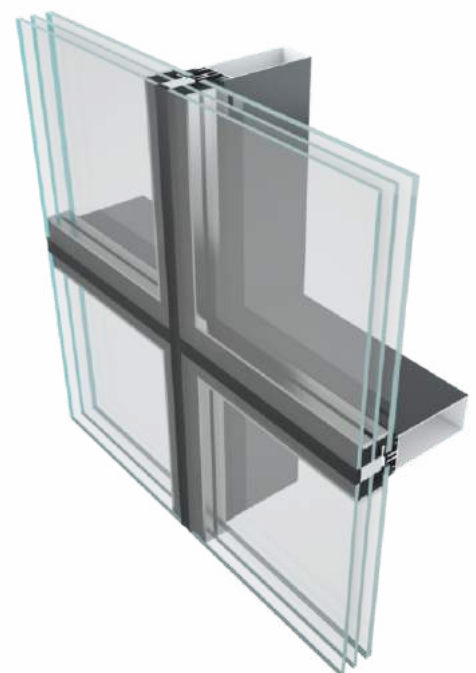
FACADE SYSTEM

HIGH PERFORMANCE WINDOWS AND DOORS FEATURING BEST IN CLASS QUALITY, TECHNOLOGY, ENERGY EFFICIENCY AND CONTEMPORARY DESIGN

Say YES to the YAWAL USA FA 50 SmoothLine

FA 50 SmoothLine Facade System is your classic transom-and-mullion facade that has appearance of a structural facade. Featuring a minimalist design, this line allows maximum natural light and is perfect for designs that demand that.

FA 50 SmoothLine is a flexible option that can be used in traditional modern curtain walls as well as architecture specifying complex shapes. FA 50 SmoothLine can also be integrated into working with other products in the Yawal USA line allowing a consistent and smart appearance and easier use and installation.



FA 50 SmoothLine SIGNIFICANT BENEFITS



Can be fabricated into various shapes including turns, bends, polygonal shapes and more



Options allow tilt or parallel sliding windows next to each other, for windows that are opened independently



High performance results in the areas water, air, thermal and fire resistance



Combines seamlessly with other Yawal USA systems

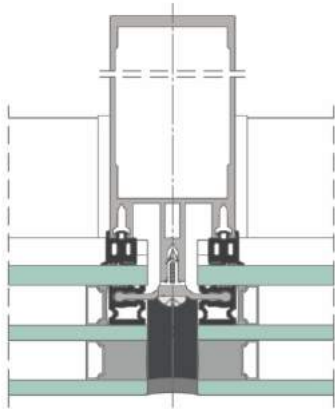


Wide variety of paint and finish options, allowing designer to meet their vision

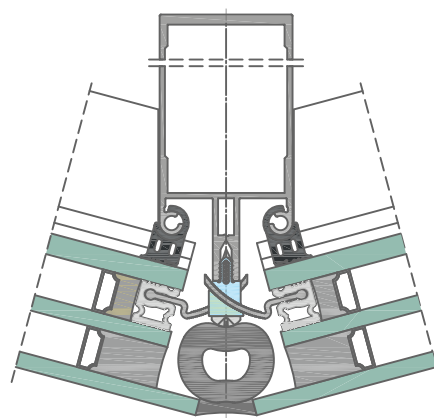


Fully tested and warranted

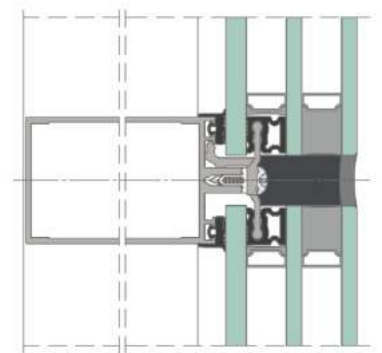
MULLION CROSS-SECTION



CROSS SECTION OF ANGLE STRUCTURE



TRANSOM CROSS-SECTION



TECHNICAL SPECIFICATIONS - FA 50 SmoothLine

U-Value	from 0.13
Acoustic insulation	STC up to 50 dB
Water tightness	15 psf
Design pressure	AW 75
SHGC	0.20-0.48

Why it is a Yes to Yawal USA?

Product - Windows and Doors designed to meet the needs and desires of contemporary marketplace.

Performance - A clear leader in thermal performance, along with a functional and intelligent design that is very attractive for the end user.

Technology - European innovation with advanced solutions on thermal, acoustic, health and safety.

Reliability - Durable, tested, warranted and a 30+ year track record.

Design - Bold and Brilliant. Slim frames, smart hinges, wider oversize spans, built for maximum healthy natural light.

Our World - Environmentally focused, sustainable product manufactured by a company committed to true social responsibility.