

BOLD and BRILLIANT. Say YES to YAWAL USA



SCENIC

GLASS DOOR

HIGH PERFORMANCE WINDOWS AND DOORS FEATURING BEST IN CLASS QUALITY, TECHNOLOGY, ENERGY EFFICIENCY AND CONTEMPORARY DESIGN



### Say YES to the YAWAL USA SCENIC GLASS DOOR

The Scenic Glass Door is the narrow siteline entrance option that allows you to enjoy more of the view and the natural light that comes with it. This product works seamlessly with the other high end products in the SCENIC family including windows and sliding doors. The Scenic Glass door is perfect for many applications including both new construction and retrofit.

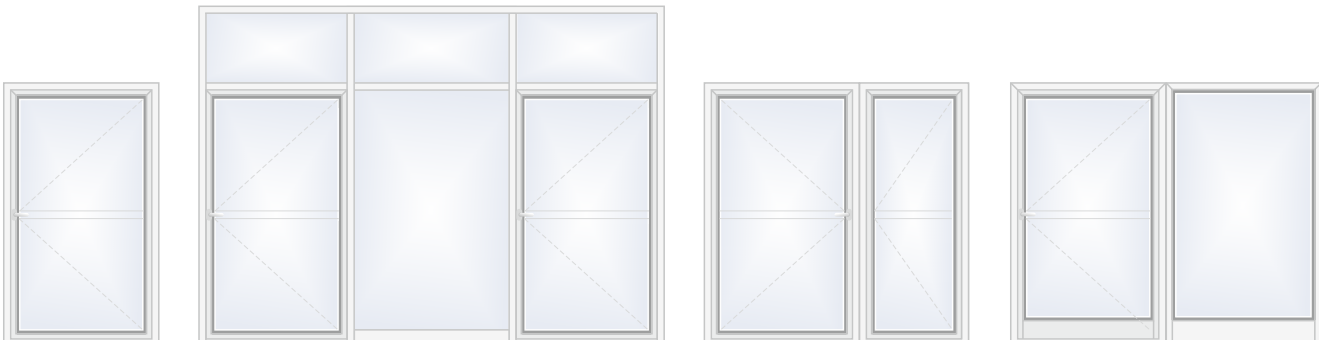
The Scenic Glass Door utilizes innovative technology to meet and exceed codes and guidelines and is also an excellent choice for someone who is environmentally focused. Many glass options are available to meet the aesthetic look of the designer/end-user and our custom frame finishes led by our realistic wood coating makes the Scenic Glass Door an excellent choice for architects, builders, dealers, and consumers.



## SCENIC GLASS DOOR SIGNIFICANT BENEFITS

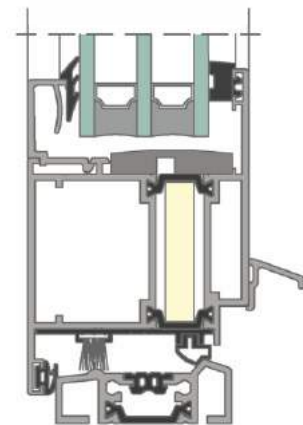
	Narrow silteline allowing more of the view		Works in perfect harmony with Scenic Windows and Sliders
	Energy Efficient		Sustainable- Environmentally Focused
	Meets and EXCEEDS the most rigorous energy codes and guidelines		Fully Tested and Warranted
	Endless Design Options incl. Custom Frame Finishes, Glass Choices, Shapes, and sizes		Easy to order, procure, and install

### CONFIGURATION POSSIBILITIES:



### TECHNICAL SPECIFICATIONS - SCENIC GLASS DOOR

U-Value	from 0.20
Acoustic insulation	STC up to 44 dB
Water tightness	7.5 psf
Design pressure	CW 50
SHGC	0.20-0.48



### Why it is a Yes to Yawal USA?

### SECTION OF THE SCENIC GLASS DOOR

**Product** - Windows and Doors designed to meet the needs and desires of contemporary marketplace.

**Performance** - A clear leader in thermal performance, along with a functional and intelligent design that is very attractive for the end user.

**Technology** - European innovation with advanced solutions on thermal, acoustic, health and safety.

**Reliability** - Durable, tested, warranted and a 30+ year track record.

**Design** - Bold and Brilliant. Slim frames, smart hinges, wider oversize spans, built for maximum healthy natural light.

**Our World** - Environmentally focused, sustainable product manufactured by a company committed to true social responsibility.